

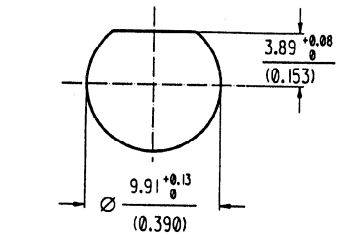
ENG. NO SDA-73100-0155

EDP NO.

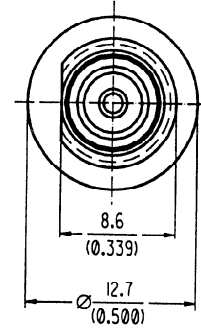
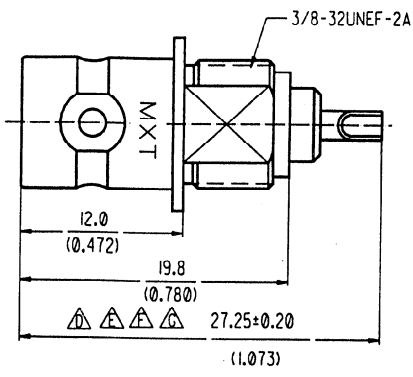
SIMILAR ITEM 13119-5063

CAD FILE NO. S1000195.DGN

DO NOT SCALE DRAWING



MOUNTING HOLE  
MAXIMUM PANEL THICKNESS: 2.65 mm



CONSTRUCTION:

- CONNECTOR BODY-----BRASS
- DIELECTRIC-----TEFLON
- CENTER CONTACT--PHOSPHOR BRONZE  $\Delta\Delta$
- LOCK WASHER----PHOSPHOR BRONZE
- NUT-----BRASS

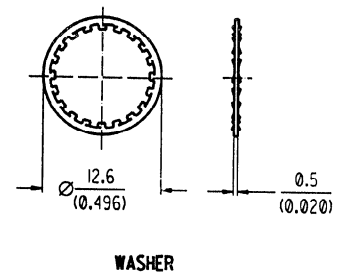
FINISH:

- CONNECTOR BODY-----NICKEL PLATING
- CENTER CONTACT-----GOLD PLATING (GOLD FLASH)  $\Delta$
- LOCK WASHER-----NICKEL PLATING
- NUT-----NICKEL PLATING

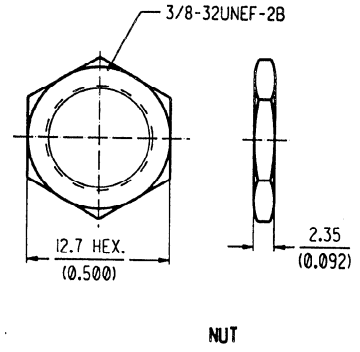
MECHANICAL & ELECTRICAL CHARACTERISTICS:  
MATERIAL & FINISH:

PER PRODUCT SPECIFICATION PS-73598-0019

PACKAGING: BULKPACK



WASHER



NUT

MATERIAL : SEE NOTES				MOLEX TAIWAN LTD. (R.F. DIVISION)	
FINISH : SEE NOTES				GENERAL TOLERANCES ANGLE : ± 3° DIM. ± 0.25 (± 0.1)	
SCALE : 3:1		UNIT : mm(INCH)		DRW. NO.: SDA-73100-0195	
DRAWN BY : Norman Wu 25/01/95		CHK'D BY : Sam		REV G	
APPR'D BY : wally		TITLE : 50 OHM BNC STRAIGHT BULKHEAD RECEPTACLE			
STANDARD ITEM <input type="checkbox"/> YES <input checked="" type="checkbox"/> NO		SHEET 1 OF 1			

THIS DRAWING CONTAINS INFORMATION THAT IS PROPRIETARY TO MOLEX TAIWAN AND SHOULD NOT BE USED WITHOUT WRITTEN PERMISSION MXT, So - 13

BNC-JR/BK